



Y-SEDIMENT STRAINERS



EY Series

SOCKET EY100 / THREAD EY 200

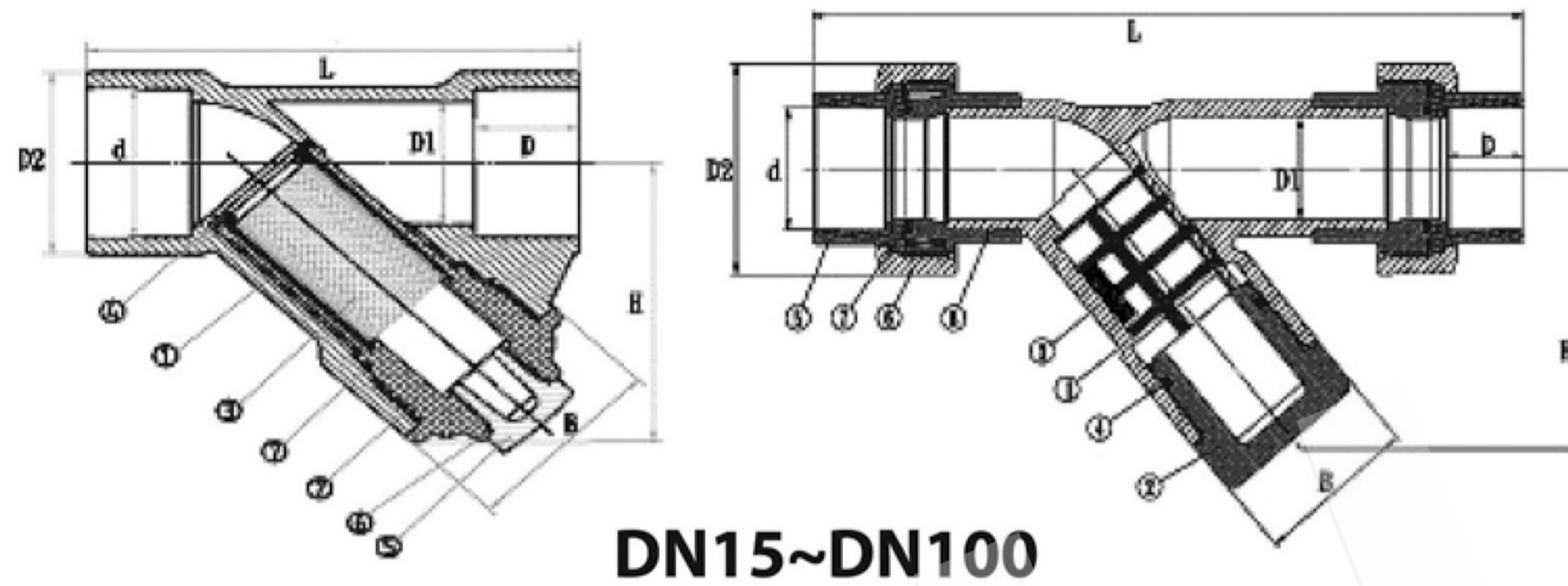
Size: 1/2" - 2"

● MATERIALS OF CONSTRUCTION

Item	Part	Pcs.	Materials	Item	Part	Pcs.	Materials
1	Body	1	UPVC	6	Union End	2	UPVC
2	Lid	1	UPVC	7	Connector	2	UPVC
3	Screen	1	UPVC	8	Union Nut	2	UPVC
4	Body O'ring	1	EPDM	9	Union O'ring	2	EPDM
5	Cap O'ring	2	EPDM				



Y STRAINER (2-1/2"~ 4)



DN15~DN100

● DIMENSIONS TABLE

JIS									Unit : mm
Nom. Size DN - inch	D1	D2	L		P	D		H	B
			SOC. / THD.	FLANGE		SOC. / THD.	THREAD		
8 - 1/4"			48		15.9		PT1/4	44	
12 - 3/8"			48		19.1	18.2	PT3/8	44	
15 - 1/2"	15	46	159	146	22.2	22	PT1/2	60	31
20 - 3/4"	20	61	183	168	25.4	26	PT3/4	72	40
25 - 1"	26	67	207	180	28.6	22	PT1	87	48
32 - 1 1/4"	32	85	240	203	31.8	38	PT1 1/4	96	55
40 - 1 1/2"	40	85	245	216	34.9	48	PT1 1/2	125	70
50 - 2"	50	99	274	237	38.1	60	PT2	150	82

ANSI									Unit : Inch
Nom. Size DN - inch	D1	D2	L		P	D		H	B
			SOC. / THD.	FLANGE		SOC. / THD.	THREAD		
8 - 1/4"			1.88		0.625	0.540	NPT1/4	1.73	
12 - 3/8"			1.88		0.750	0.675	NPT3/8	1.73	
15 - 1/2"	0.59	1.81	6.26	5.35	0.875	0.840	NPT1/2	2.36	1.22
20 - 3/4"	0.79	2.40	7.20	6.14	1.000	1.050	NPT3/4	2.83	1.57
25 - 1"	1.02	2.64	8.15	6.54	1.125	1.315	NPT1	3.43	1.89
32 - 1 1/4"	1.26	3.35	9.45	7.28	1.250	1.660	NPT1 1/4	3.80	2.17
40 - 1 1/2"	1.57	3.35	9.65	7.98	1.375	1.900	NPT1 1/2	4.92	2.76
50 - 2"	1.97	3.90	10.79	8.78	1.500	2.375	NPT2	5.91	3.23

DIN									Unit : mm
Nom. Size DN - inch	D1	D2	L		P	D		H	B
			SOC. / THD.	FLANGE		SOC. / THD.	THREAD		
8 - 1/4"			48		12	12	R1/4	44	
12 - 3/8"			48		14	16	R3/8	44	
15 - 1/2"	15	46	159	136	16.0	22	R1/2	60	31
20 - 3/4"	20	61	183	156	18.5	25	R3/4	72	40
25 - 1"	26	67	207	166	22.0	32	R1	87	48
32 - 1 1/4"	32	85	240	185	26.0	40	R1 1/4	96	55
40 - 1 1/2"	40	85	245	202	31.0	50	R1 1/2	125	70
50 - 2"	50	99	274	223	37.5	63	R2	150	82